

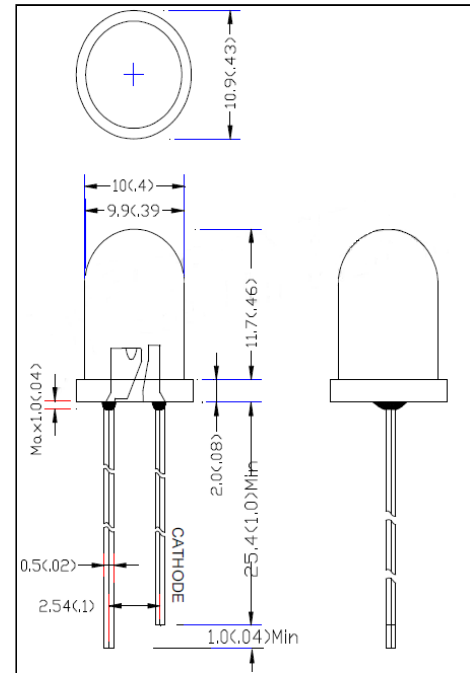
## LEDs

**10mm Round**

**HL-7962**

### Package Configuration

Descriptions:
Material: AlGaInP
Emitting Color: White
Device Outline: $\Phi$ 10mm round type
Lens Type: Water Clear



### Absolute Maximum Ratings (Ta=25°C)

Parameter	Max.	Unit.
Peak Forward Current (1/10 Duty Cycle, 0.1ms Pulse Width)	100	mA
Continuous Forward Current	30	mA
Reverse Voltage	5	V
Operating Temperature Range	-40 °C to +85°C	
Storage Temperature Range	-40 °C to +100°C	
Lead Soldering Temperature[4mm(.157") From Body]	260°C for 5 Seconds	

### Electrical and optical characteristics

Parameter	Symbol	Min.	Typ.	Max.	Unit.	Test Condition
Luminous Intensity	$I_v$	-	18K	-	mcd	$I_f=20mA$
Viewing Angle	$2\theta_{1/2}$	-	15	-	Deg.	
Color Temperature	-	6000	-	7000	K	