

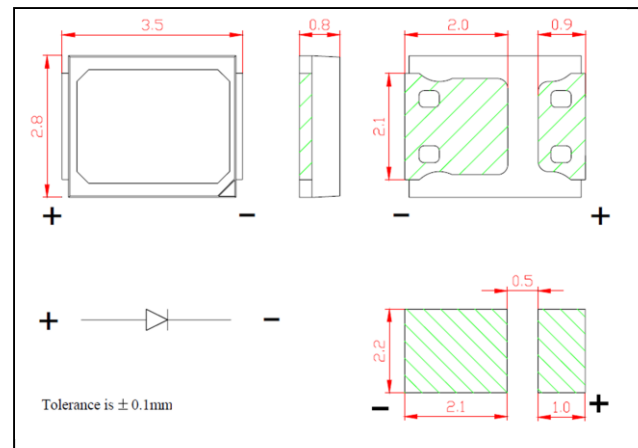
## LEDs

2835 SMD Red – 0.2W

HL-8637

### Package Configuration

Descriptions:
Emitting Color: Red
Device Outline: 2.8x3.5x0.8mm
Lens Type: Water Clear



### Absolute Maximum Ratings (Ta=25°C)

Parameter	Max.	Unit.
Peak Forward Current (1/10 Duty Cycle, 0.1ms Pulse Width)	100	mA
Power Dissipation	120	mW
Continuous Forward Current	60	mA
Reverse Voltage	5	V
Operating Temperature Range	-40 °C to +85°C	
Lead Soldering Temperature[4mm(.157") From Body]	250°C for 5 Seconds	

### Electrical and optical characteristics

Parameter	Symbol	Min.	Typ.	Max.	Unit.	Test Condition
Luminous Flux	$I_v$	-	20	-	lumens	$I_F=60\text{mA}$
Viewing Angle	$2\theta_{1/2}$	-	120	-	Deg.	
Domiant Wavelength	$\Delta d$	-	620	-	nm	
Forward Voltage	$V_F$	1.8	-	2.4	V	