

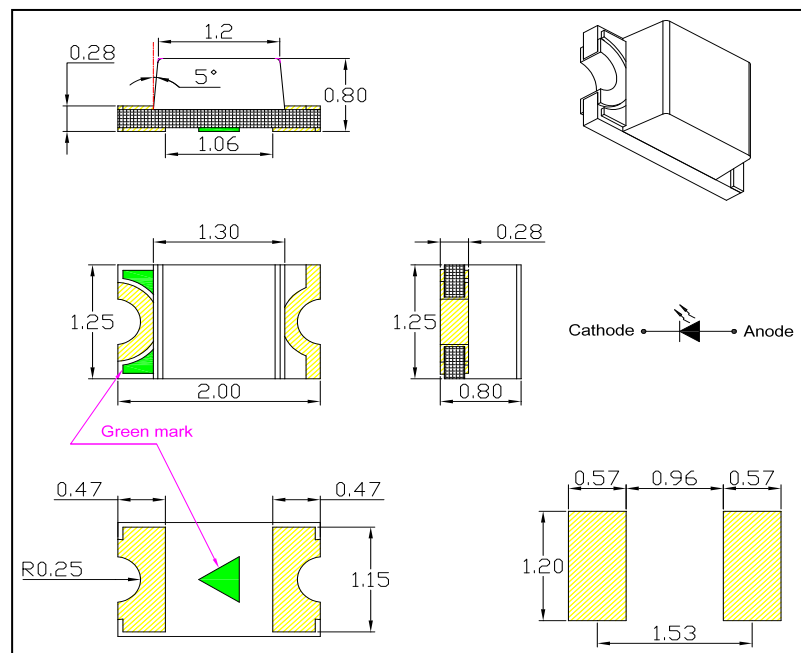
LEDs

SMD 0805 Reverse Mount - Yellow

HL-9663

Package Configuration

Descriptions:
Emitting Color: Yellow
Device Outline: 2.0x1.25x0.8mm
Lens Type: Water Clear



Absolute Maximum Ratings (Ta=25°C)

Parameter	Max.	Unit.
Peak Forward Current (1/10 Duty Cycle, 0.1ms Pulse Width)	100	mA
Continuous Forward Current	20	mA
Reverse Voltage	5	V
Operating Temperature Range	-40 °C to +85°C	
Storage Temperature Range	-40 °C to +100°C	
Lead Soldering Temperature[4mm(.157") From Body]	250°C for 5 Seconds	

Electrical and optical characteristics

Parameter	Symbol	Min.	Typ.	Max.	Unit.	Test Condition
Luminous Intensity	IV	-	140	-	mcd	If=20mA
Viewing Angle	2θ 1/2	-	130	-	deg.	
Wavelength	Δd	-	590	-	nm	