

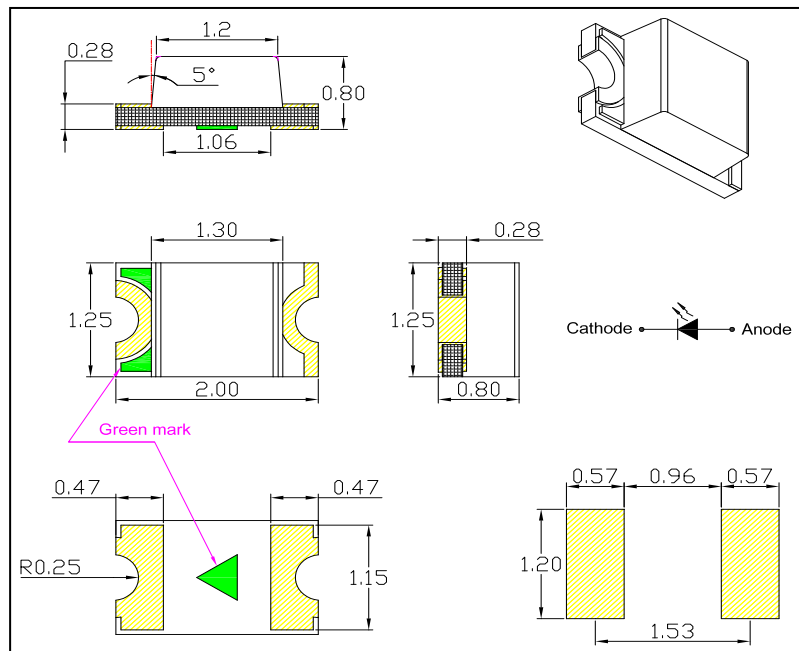
## LEDs

SMD 0805 Reverse Mount - Green

HL-9665

### Package Configuration

| Descriptions:                         |
|---------------------------------------|
| Emitting Color: Green (emerald green) |
| Device Outline: 2.0x1.25x0.8mm        |
| Lens Type: Water Clear                |



### Absolute Maximum Ratings (Ta=25°C)

| Parameter   | Max.                | Unit. |
|---|---------------------|-------|
| Peak Forward Current (1/10 Duty Cycle, 0.1ms Pulse Width) | 100                 | mA    |
| Continuous Forward Current                                | 20                  | mA    |
| Reverse Voltage   | 5                   | V     |
| Operating Temperature Range                               | -40 °C to +85°C     |       |
| Storage Temperature Range                                 | -40 °C to +100°C    |       |
| Lead Soldering Temperature[4mm(.157") From Body]          | 250°C for 5 Seconds |       |

### Electrical and optical characteristics

| Parameter          | Symbol            | Min. | Typ. | Max. | Unit. | Test Condition |
|--------------------|-------------------|------|------|------|-------|----------------|
| Luminous Intensity | IV                | -    | 140  | -    | mcd   | If=20mA        |
| Viewing Angle      | 2θ <sub>1/2</sub> | -    | 130  | -    | deg.  |                |
| Wavelength         | Δd                | -    | 520  | -    | nm    |                |