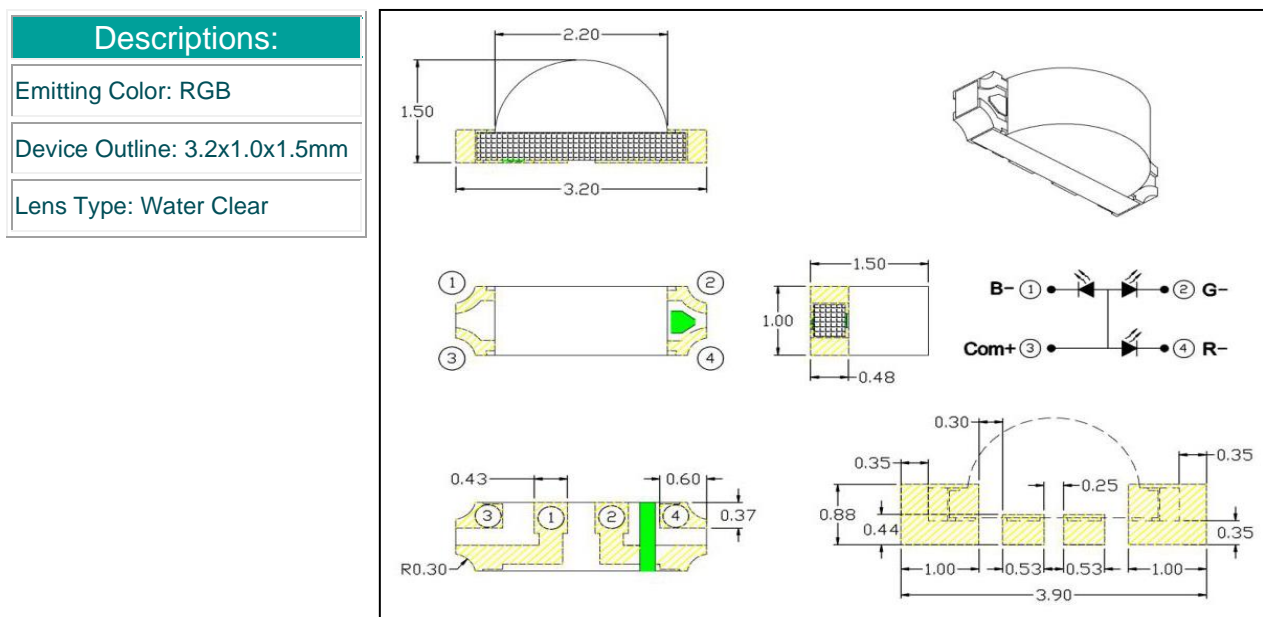


## LEDs

SMD 1204 Side View – RGB

HL-9668

### Package Configuration



### Absolute Maximum Ratings (Ta=25°C)

Parameter	Max.	Unit.
Peak Forward Current (1/10 Duty Cycle, 0.1ms Pulse Width)	100	mA
Continuous Forward Current	20	mA
Reverse Voltage	5	V
Operating Temperature Range	-40 °C to +85°C	
Storage Temperature Range	-40 °C to +100°C	
Lead Soldering Temperature[4mm(.157") From Body]	250°C for 5 Seconds	

### Electrical and optical characteristics

Parameter	Symbol	Typ.	Unit.	Test Condition
Luminous Intensity	IV	R=120 / G=450 / B=150	mcd	If=60mA (3x20mA)
Viewing Angle	2θ 1/2	120	deg.	
Wavelength	Δd	R=625 / G=525 / B=470	nm	
Forward Voltage	V <sub>F</sub>	R=2.0 / G=2.8 / B=2.9	V	