

## LEDs

2835 SMD Type – White

HL-9672

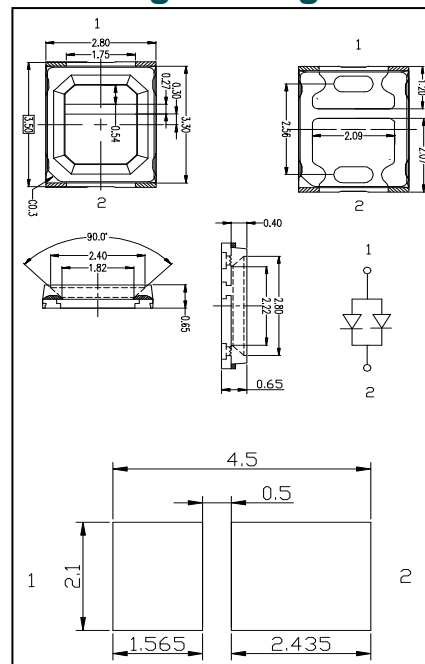
### Descriptions:

Emitting Color: White

Device Outline: 2.8x3.5x0.8mm

Lens Type: Yellow diffused

### Package Configuration



### Absolute Maximum Ratings (Ta=25°C)

Parameter	Max.	Unit.
Peak Forward Current (1/10 Duty Cycle, 0.1ms Pulse Width)	1000	mA
Continuous Forward Current	100	mA
Reverse Voltage	5	V
Operating Temperature Range	-40 °C to +85°C	
Storage Temperature Range	-40 °C to +100°C	
Lead Soldering Temperature[4mm(.157") From Body]	250°C for 5 Seconds	

### Electrical and optical characteristics

Parameter	Symbol	Min.	Typ.	Max.	Unit.	Test Condition
Luminous Intensity	I <sub>v</sub>	-	125	-	lumens	I <sub>F</sub> =100 mA
Viewing Angle	2θ <sub>1/2</sub>	-	120	-	deg.	
Color Temperature	-	-	3000	-	K	
Forward voltage	V <sub>F</sub>	8.8	-	9.4	V	