

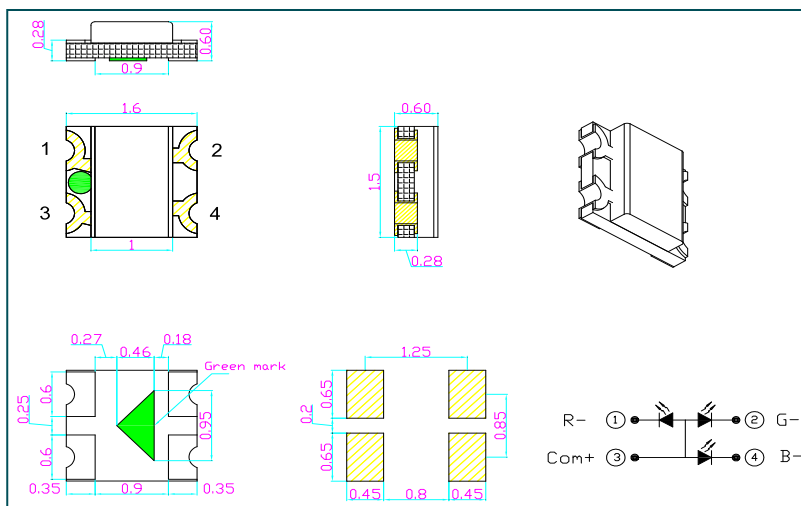
LEDs

0606 SMD – RGB

HL-9675

Package Configuration

Descriptions:
Emitting Color: RGB
Device Outline: 1.6x1.5x0.6mm
Lens Type: Water Clear



Absolute Maximum Ratings (T_a=25°C)

Parameter	Max.	Unit.
Peak Forward Current (1/10 Duty Cycle, 0.1ms Pulse Width)	3 x 100mA	mA
Continuous Forward Current	3 x 20mA	mA
Reverse Voltage	5	V
Storage/Operating Temperature Range	-40 °C to +85°C	
Power Dissipation	R=55mW / G=80mW / B=80mW	
Lead Soldering Temperature[4mm(.157") From Body]	250°C for 5 Seconds	

Electrical and optical characteristics

Parameter	Symbol	Typ.	Unit.	Test Condition
Luminous Intensity	I _v	R=150 / G=550 / B=150	mcd	I _F =3x20mA
Viewing Angle	2θ _{1/2}	120	deg.	
Dominant Wavelength	λ _d	R=618 / G=515 / B=460	nm	
Forward Voltage	V _F	R=2.0 / G=2.9 / B=2.9		