

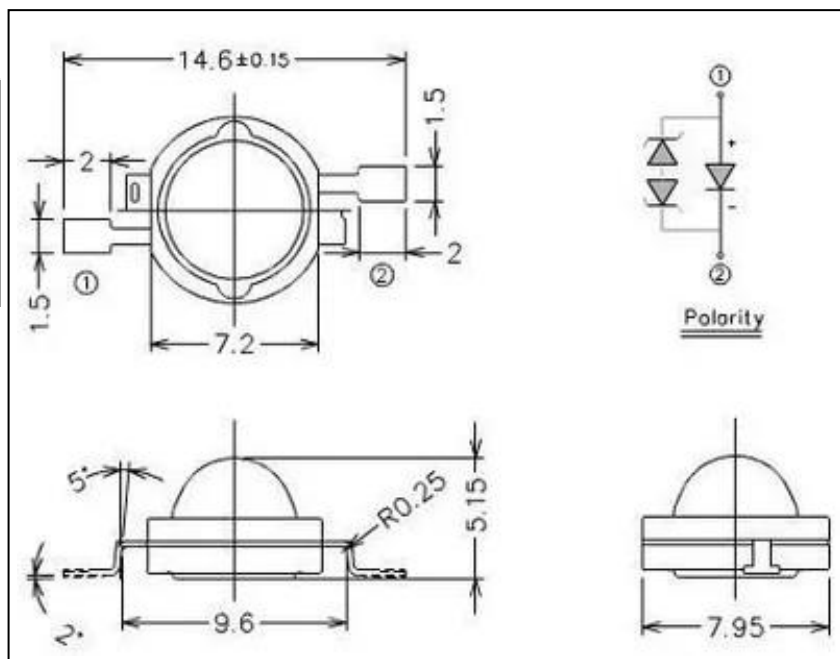
## LEDs

1408 1W - White

HL-9676

### Package Configuration

Descriptions:
Emitting Color: White
Device Outline: 14.6x7.2x5.1mm
Lens Type: Yellow Diffused



### Absolute Maximum Ratings (Ta=25°C)

Parameter	Max.	Unit.
Peak Forward Current (1/10 Duty Cycle, 0.1ms Pulse Width)	700	mA
Continuous Forward Current	350	mA
Reverse Voltage	5	V
Operating Temperature Range	-40 °C to +85°C	
Storage Temperature Range	-40 °C to +100°C	
Lead Soldering Temperature[4mm(.157") From Body]	250°C for 5 Seconds	

### Electrical and optical characteristics

Parameter	Symbol	Min.	Typ.	Max.	Unit.	Test Condition
Luminous Intensity	I <sub>v</sub>	-	115	-	lumens	I <sub>F</sub> =350mA
Viewing Angle	2θ <sub>1/2</sub>	-	120	-	deg.	
Color Temperature	-	-	6000	-	K	
Forward Voltage	V <sub>F</sub>	3.0	-	3.4	V	