

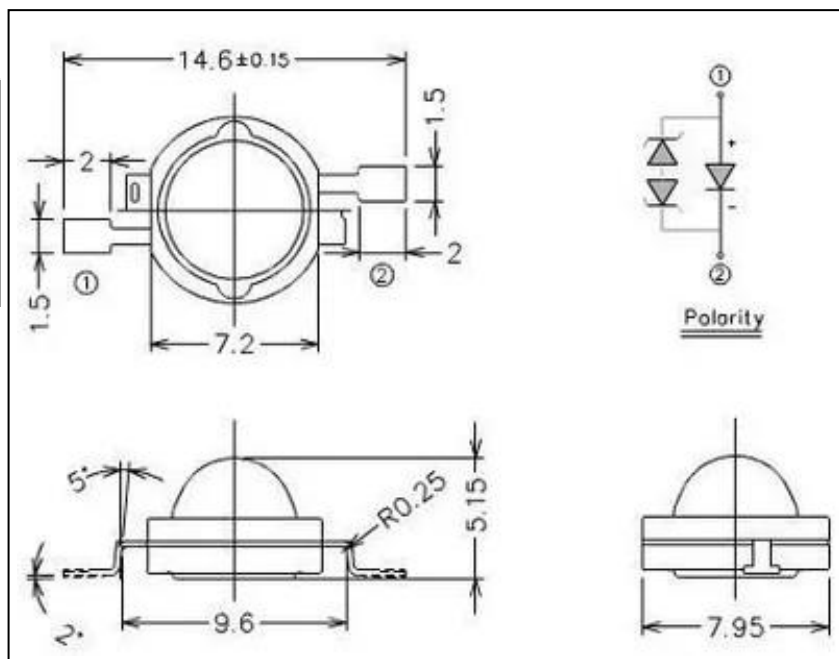
LEDs

1408 1W - Red

HL-9677

Package Configuration

Descriptions:
Emitting Color: Red
Device Outline: 14.6x7.2x5.1mm
Lens Type: Water Clear



Absolute Maximum Ratings (Ta=25°C)

Parameter	Max.	Unit.
Peak Forward Current (1/10 Duty Cycle, 0.1ms Pulse Width)	700	mA
Continuous Forward Current	350	mA
Reverse Voltage	5	V
Operating Temperature Range	-40 °C to +85°C	
Storage Temperature Range	-40 °C to +100°C	
Lead Soldering Temperature[4mm(.157") From Body]	250°C for 5 Seconds	

Electrical and optical characteristics

Parameter	Symbol	Min.	Typ.	Max.	Unit.	Test Condition
Luminous Intensity	I _v	-	55	-	lumens	I _F =350mA
Viewing Angle	2θ _{1/2}	-	120	-	deg.	
Wavelength	λ _d	-	625	-	nm	
Forward Voltage	V _F	2.0	-	2.4	V	