

LEDs

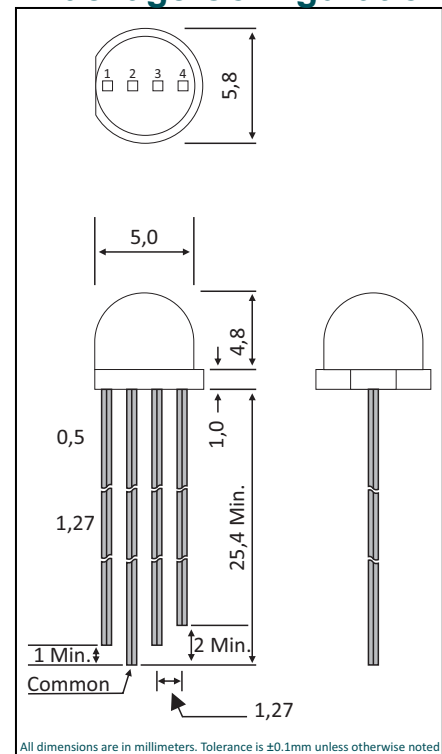
5mm - RGB - Straw Hat - Common Cathode

HL-9693

Description
Emitting Color: RGB
Device Outline: Ø 5mm Round Type
Lens Type: Water Clear

Pin	Function
1	Red
2	Common Cathode
3	Green
4	Blue

Package Configuration



Absolute Maximum Ratings (Ta=25°C)

Parameter	Max.	Unit.
Peak Forward Current (1/10 Duty Cycle, 0.1ms Pulse Width)	150	mA
Continuous Forward Current	R=30 / G=25 / B=30	mA
Reverse Voltage	5	V
Storage/Operating Temperature Range	-40 °C to +85°C	
Power Dissipation	300mW	
Lead Soldering Temperature[4mm(.157") From Body]	250°C for 5 Seconds	

Electrical and optical characteristics

Parameter	Symbol	Typ.	Unit.	Test Condition
Luminous Intensity	I _v	R=1000 / G=1300 / B=500	mcd	I _F =20mA
Viewing Angle	2θ 1/2	60	deg.	
Dominant Wavelength	λ _d	R=630 / G=525 / B=465	nm	
Forward Voltage	V _F	R=1.8 / G=2.8 / B=2.8	V	