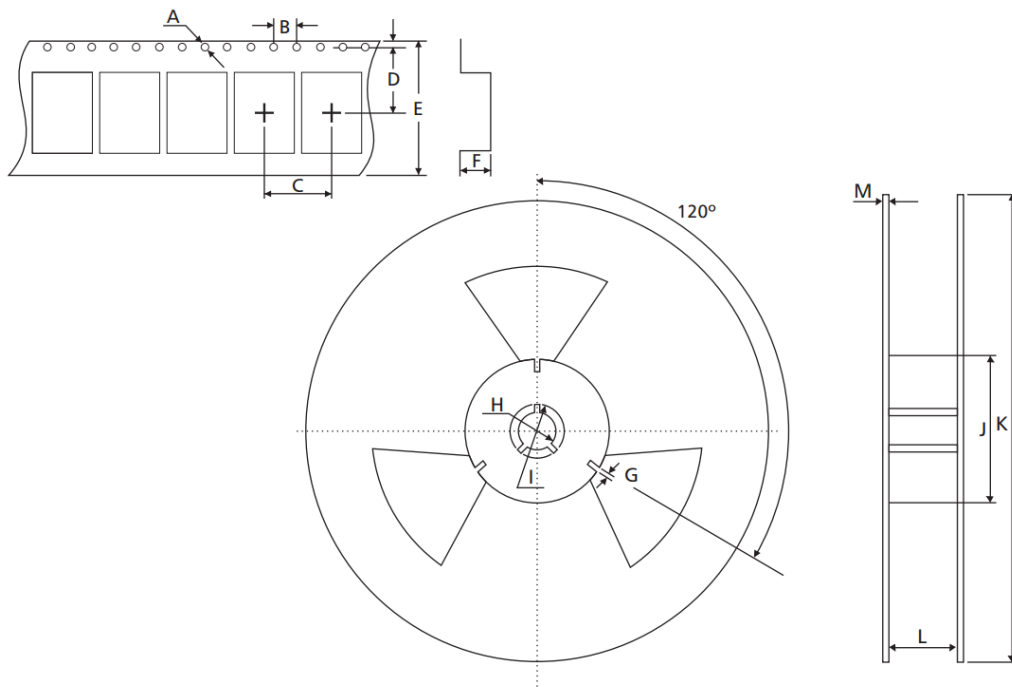


Tape and Reel Specifications for SMD VCXO's



Tape Specifications

Type	A	B	C	D	E	F	Qty/Reel
VC-S1/S3	1.50	4.0	8.0	7.5	16.0	2.0	1000
VC-T1/T3	1.50	4.0	8.0	5.5	12.0	1.5	1000

Reel Specifications

Type	G	H	I	J	K	L	M
HXO-33C/36C/37C/39C	2.5	13.5	21.6	60.0	178	17.5	1.6
VC-T1/T3	2.5	13.5	21.6	60.0	178	13.5	1.6